



MEICTECH INDUSTRY SPARES & HANDLES

Total Solutions for Industrial Maintenance



Meictech Spare Parts and Handles is based in Krefeld, Germany. We are one of the leading European suppliers in the field of industrial spare parts supply. We specialized in the supply of Spares for all types of machinery, equipments and associated spare parts.

We serve in the field of machineries, spare parts, electrical items, pumps and special product segments with an extensive range of spare parts receiving full support from all the major manufacturers globally.

As a competent contact person in the field of Machineries, Spare parts & electrical items etc... MEICTECH not only stands for quality products but also for complete solutions from A to Z. Our highly qualified specialists ensure the implementation and the close cooperation with leading suppliers makes possible the quick adjustment of our service portfolio for changing customer needs, highly modern warehouse logistic contributes to the ability to deliver quickly.

MACHINE & SPARES

In the area of machine spares , sensors , motors , Clutches , pumps etc we can make offer based on the customer request for existing machines and new projects .We can ship most of the spares in express mode over the world .

SENSORS



MOTORS



GEAR MOTORS



CERAMIC BRUSHES & BUSHES



Meitech is committed to supply only genuine and original spare parts to ensure the safe operation as well as the highest performance of your machineries and equipments. We are supported by many major manufactures around the world.

The close co-operation with leading suppliers makes possible the quick adjustment of our service portfolio for changing customer needs, highly modern warehouse logistic contributes to the ability to deliver quickly. Exemplary conditions are a further component for the strengthening of the ability to complete of our partners. Some of the leading suppliers listed below.



SPECIAL PRODUCTS

This area is very special, we will produce the items based on customer request with the help of samples or drawing. All products we developed in Germany (FOOD GRADE & NON) because of the quality. It is very important in this area. As a competent contact person in the field of Machineries, Spare parts & electrical items etc... We not only stands for quality products but also for complete solutions with best price in the market .

CUSTOMISED CHEMICAL RESISTANT SEALS & FOOD GRADE SEALS



RODS



PLASTIC RODS



CARBON BRUSHES



CLUTCHES



VACUM PUMP



PLC DRIVES



BREAKERS



CABLES



BEARINGS



SWITCHES



COMPRESSOR SPARE PARTS



ROPES



BELTS



COOLING UNIT



PRESSURE REDUCING VALVES



PNEUMATIC ITEMS + HOSES



FLOW METERS



STAINLESS STEEL / DUPLEX PIPES & FITTINGS

It included Duplex, stainless steel seamless and welded pipe / tube, pipe fitting (elbows, tees, cross, reducers, pipe cap), flange & valves. Since long period of time, MEICTECH is doing its best top promote quality & precision of the products, fittings engineered and manufactured in strict compliance with ASTM, DIN, JIS and National standards, We've won fine reputation at home and abroad and we share the common commitment to quality and service.

PIPES



FLANGES



VALVE



TEE



LBOW

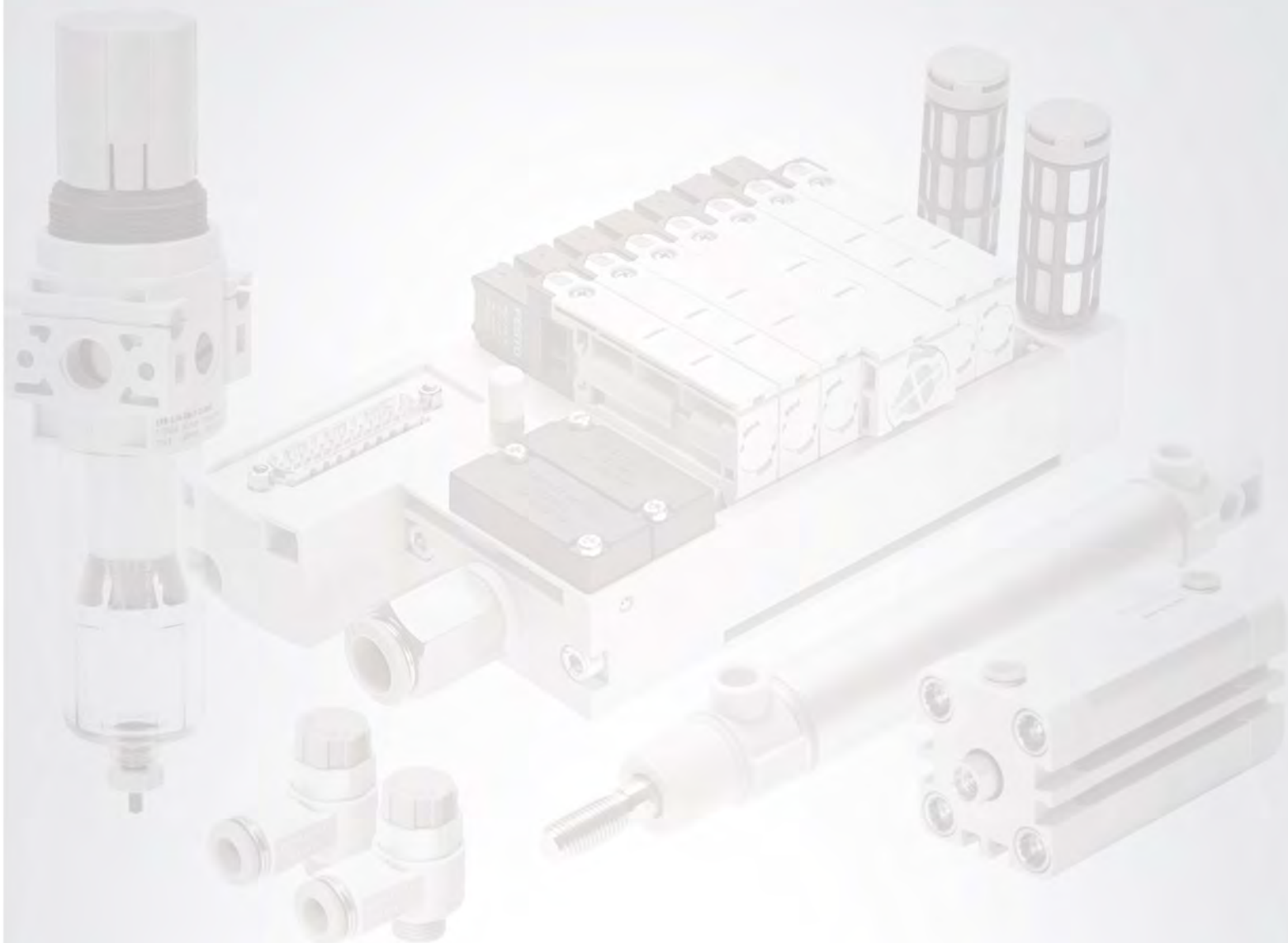


PUMPS & SPARES

We are a company involved in rendering solutions for today's industry and solve your various fluid handling problems. Based in Germany more than a decade involved in manufacturing, quality control, selling, installing and servicing of all types pumps and Spares.

MEICTECH provides pumps to meet your pumping needs. We specialize in design, manufacture and application of standard and custom pumping technologies and product designs and are dedicated to helping our customers achieve the best performance of their systems.





MEICTECH INDUSTRY SPARES & HANDLES

Total Solutions for Industrial Maintenance

Meitech Industry Spares & Handles, Thüringerstrasse 16, 47807 Krefeld, GERMANY.
Tel: +49 17621845243; Fax: +49 21514869900, E-mail: sales@meitech.com